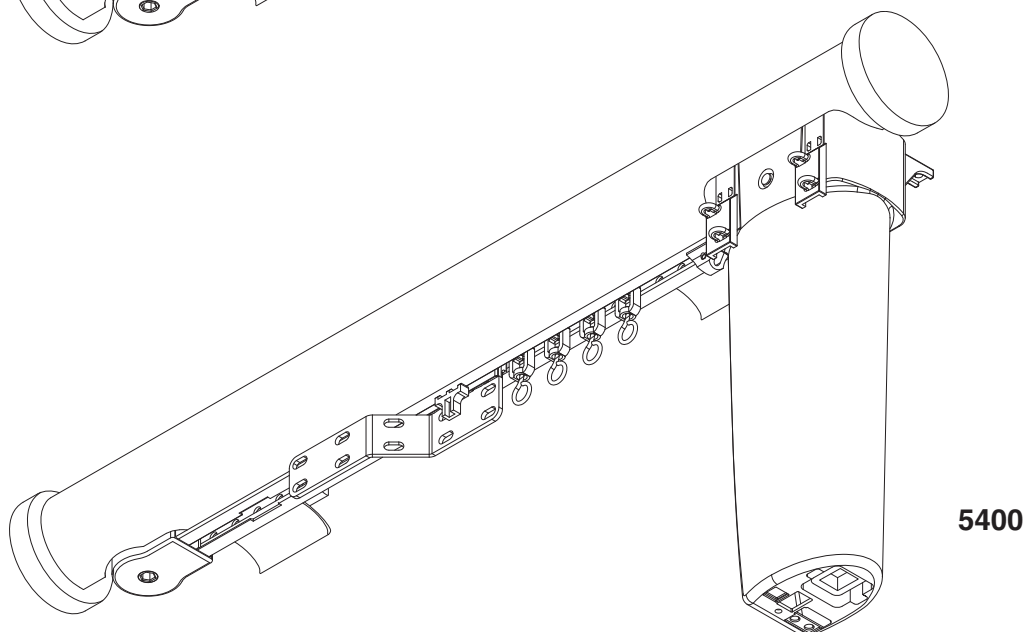
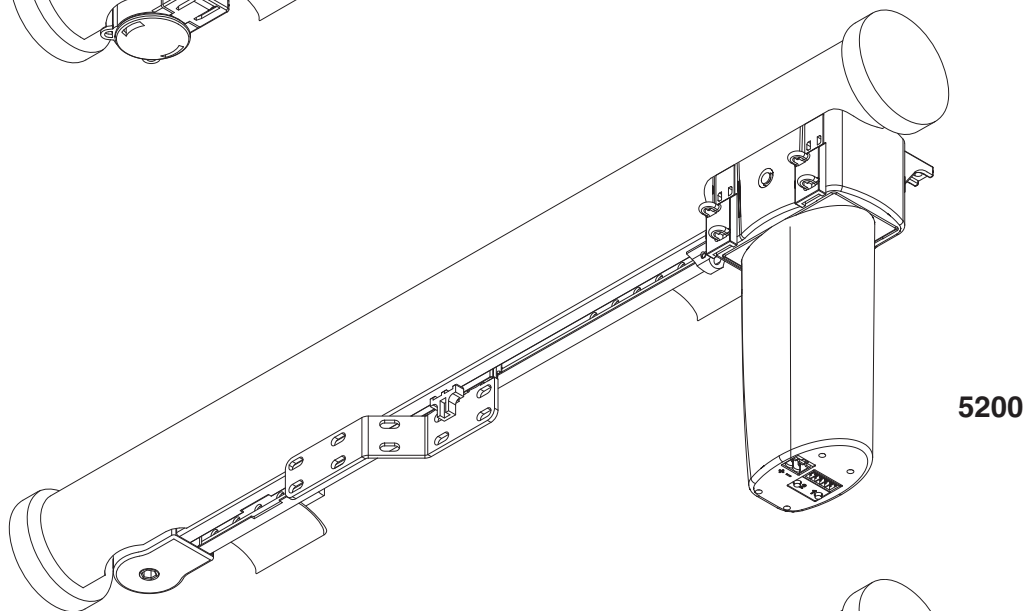
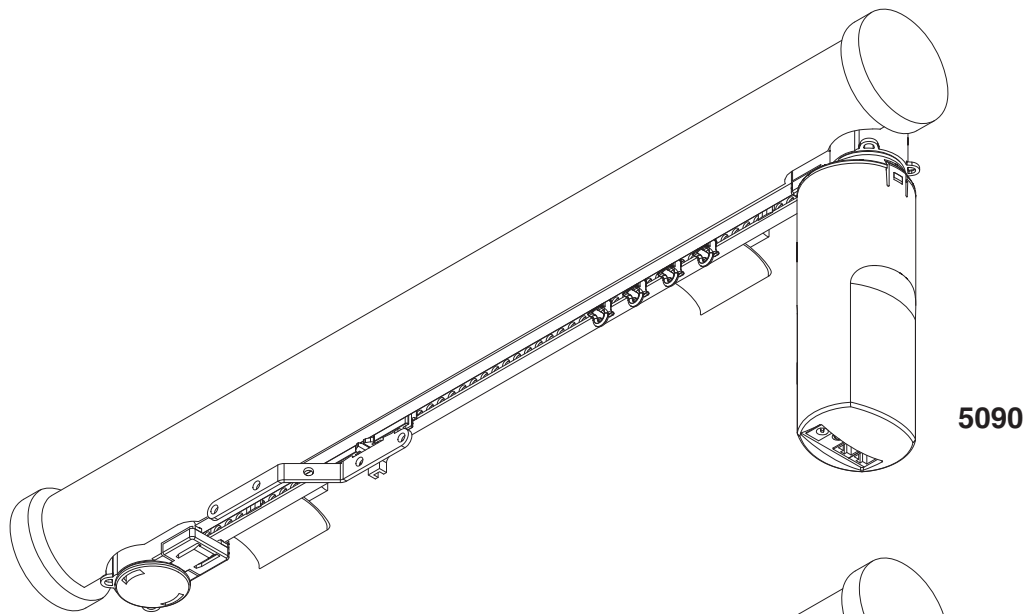


# Silent Gliss® 6150 System

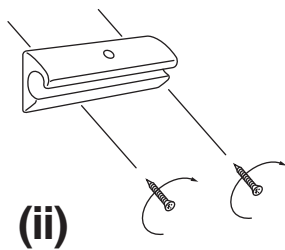
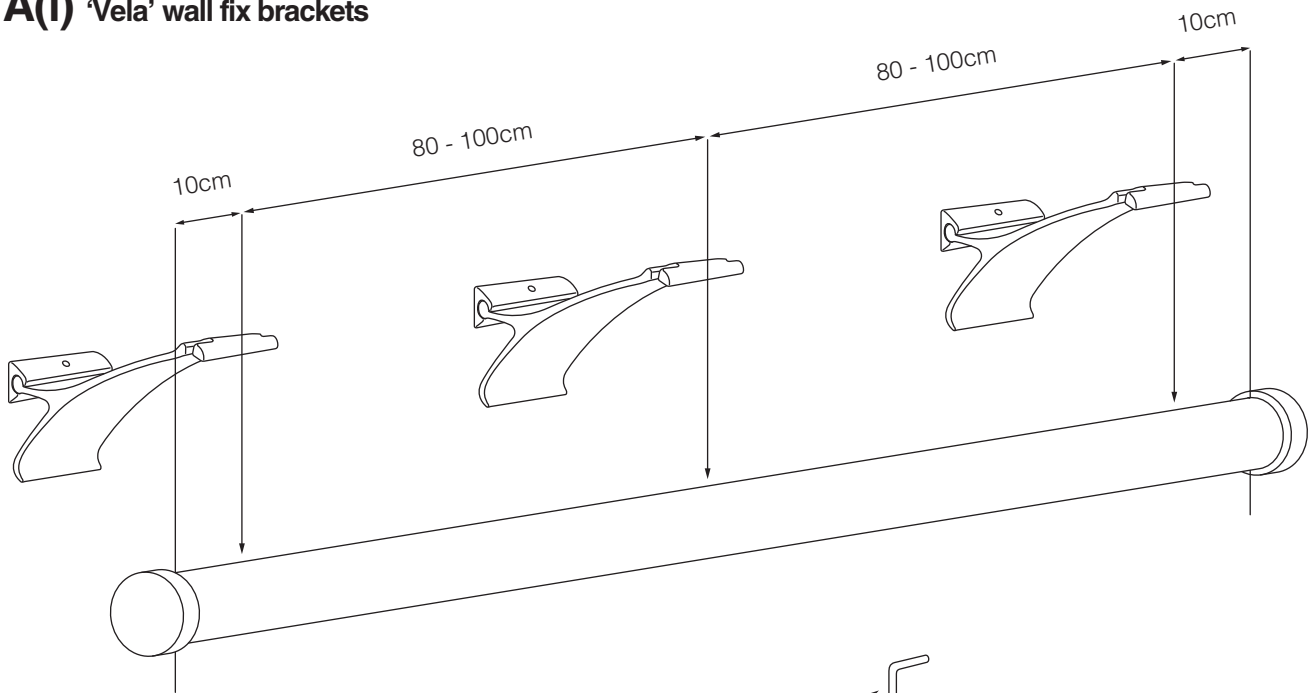
## Fitting Instructions



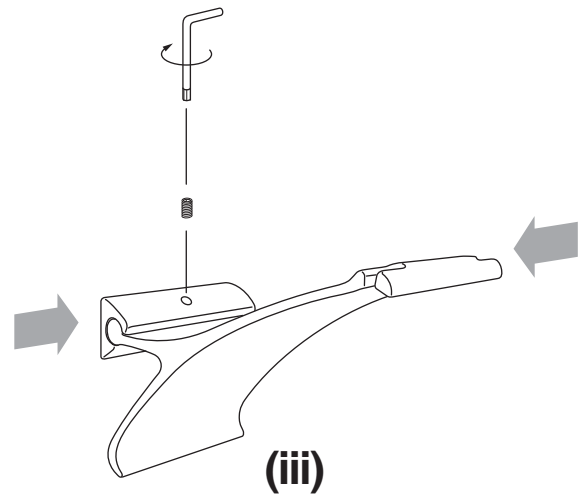
# Silent Gliss® 6150 System

## Fitting Instructions

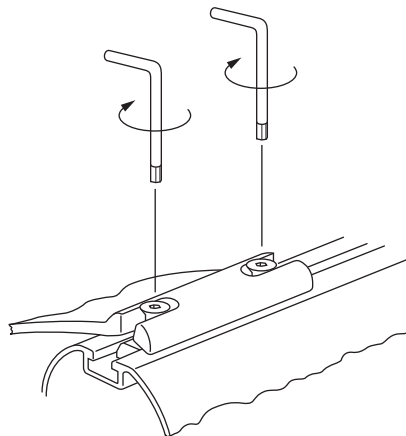
### A(i) 'Vela' wall fix brackets



Fix wall support



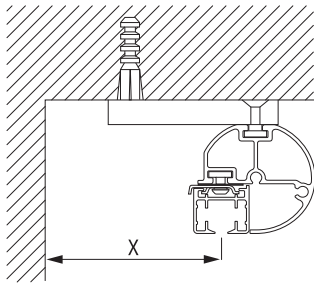
Locate bracket in wall support and lock in place



Position inserts and locking screws in bracket slots and secure

# Silent Gliss® 6150 System

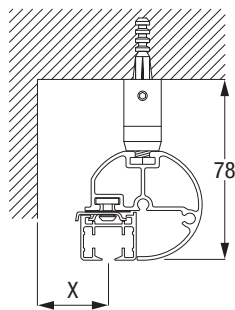
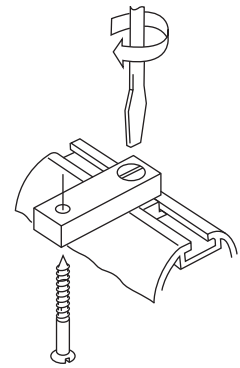
## Fitting Instructions



X (mm)  
80-100

### B 6138P2 Ceiling fix brackets option i (standard endcap)

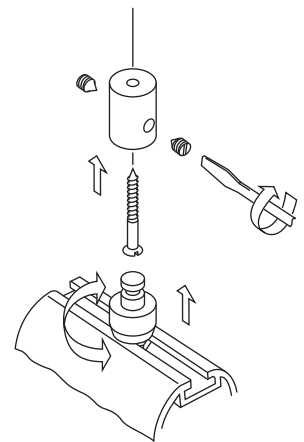
Ceiling fix bracket and insert are loose in top channel of track. Ascertain where you want the brackets to be fixed by offering the track up to the ceiling. (Again the outside fixing points should be 7cm/2<sup>3</sup>/<sub>4</sub>" from the outside edge of the track and max. 60cm/2'0" apart.) Tighten bracket and insert until they do not move, in the positions required. Offer track up to the ceiling and mark through the other hole in the bracket. Drill and plug the ceiling and fix firmly.



X (mm)  
80-100

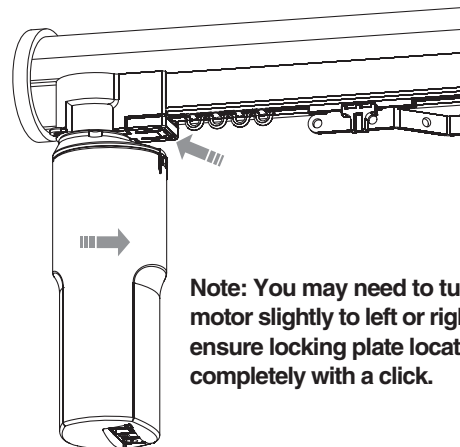
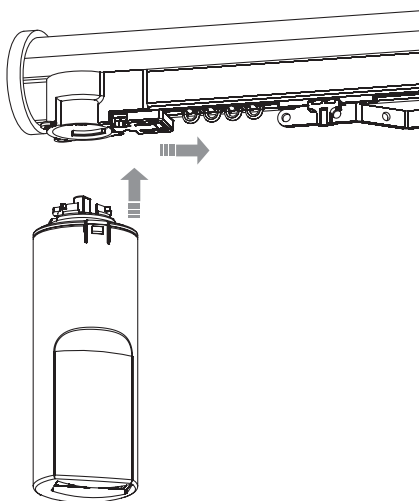
### B 6175 Ceiling fix option ii for use with finials

Ceiling fix bracket and insert are loose in top channel of track. Ascertain where you want the brackets to be fixed by offering the track up to the ceiling. (Again the outside fixing points should be 7cm/2<sup>3</sup>/<sub>4</sub>" from the outside edge of the track and max. 60cm/2'0" apart.) Tighten bracket and insert until they do not move, in the positions required. Offer track up to the ceiling and mark through the other hole in the bracket. Drill and plug the ceiling and fix firmly.

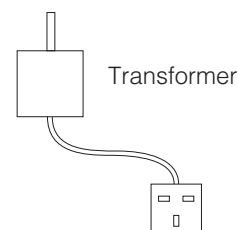


### Fitting the motor unit to the predetermined end of the track

5090



**Note:** You may need to turn motor slightly to left or right to ensure locking plate locates completely with a click.

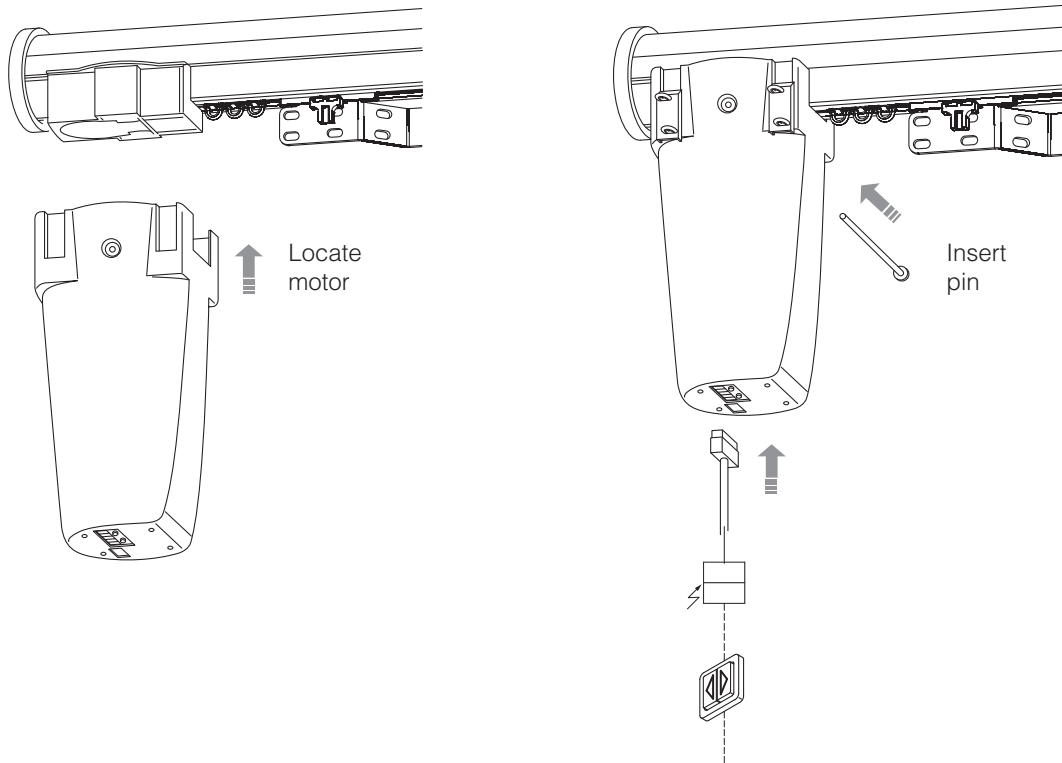


**Refer to relevant motor manual supplied**

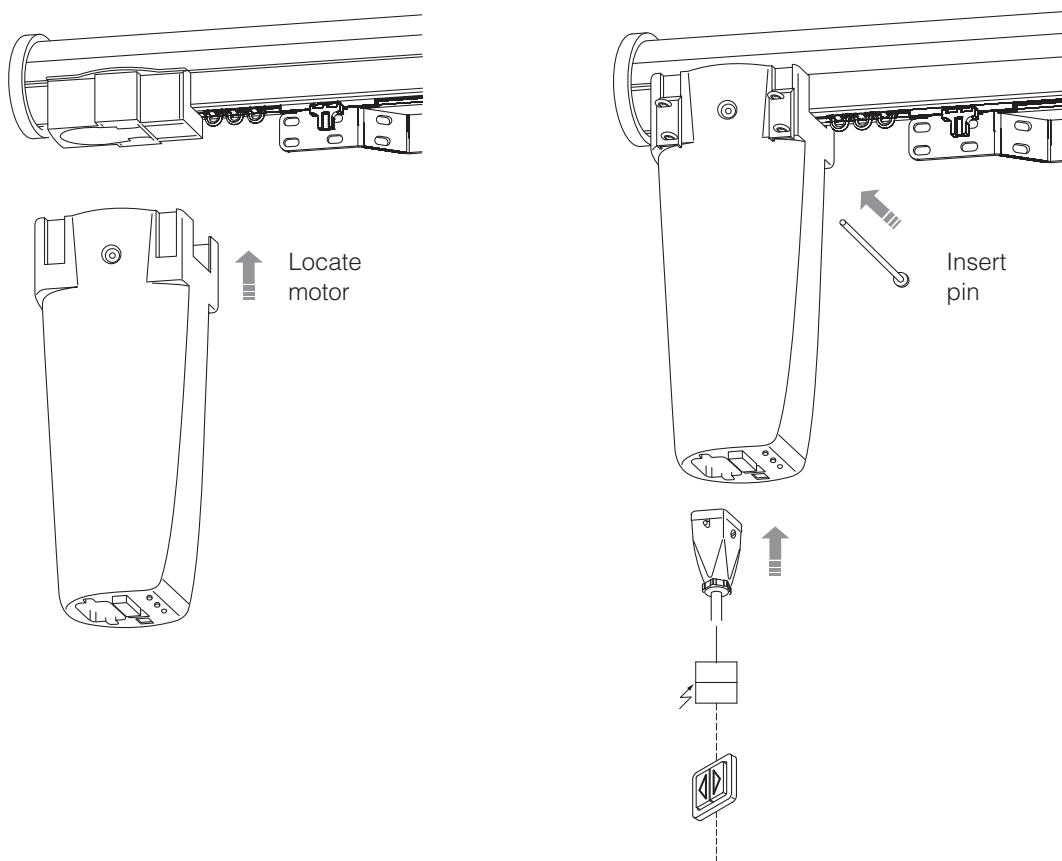
# Silent Gliss® 6150 System

## Fitting Instructions

5200



5400



**Refer to relevant motor manual supplied**

0910

**Silent Gliss Limited**

Pyramid Business Park, Poorhole Lane, Broadstairs, Kent CT10 2PT  
Telephone: 01843 863571 Fax: 01843 864503  
E-mail: [info@silentgliss.co.uk](mailto:info@silentgliss.co.uk) [www.silentgliss.co.uk](http://www.silentgliss.co.uk)

